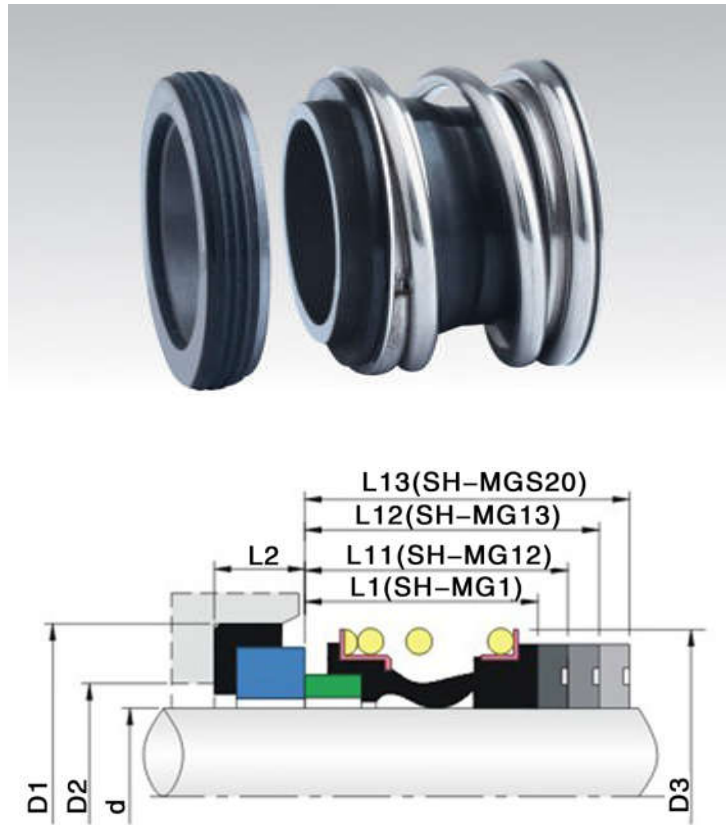


MG1/GM12/MG13/MGS20

- **Operational Conditions:**
 - Temperature: -20°C to + 120°C
 - Pressure: ≤ 1.2MPa
 - Speed: ≤ 10m/s
- **Materials:**
 - Stationary Ring: U2, Q2, V1, Q1
 - Rotary Ring: B, A, Q1, Q2
 - Secondary Seal: V, P, E
 - Spring and Metal Parts: F, G
- **Standard: G60**
- **Alternative: G9/G6**
- **Applications: Clean water, sewage water, oil**
And other moderately corrosive fluids.



Size	d	D3	D2	D1	L1	L11	L12	L13	L2
10	10	22.5	17	21	14.5	25.9	33.4	25.0	6.6
12	12	25.0	19	23	15.0	25.9	33.4	25.0	6.6
14	14	28.5	21	25	17.0	28.4	33.4	25.0	6.6
15	15	28.5	-	-	17.0	28.4	33.4	25.0	-
16	16	28.5	23	27	17.0	28.4	33.4	25.0	6.6
18	18	32.0	27	33	19.5	30.0	37.5	25.0	7.5
19	19	37.0	-	-	21.5	30.0	37.5	25.0	-
20	20	37.0	29	35	21.5	30.0	37.5	25.0	7.5
22	22	37.0	31	37	21.5	30.0	37.5	25.0	7.5
24	24	42.5	33	39	22.5	32.5	42.5	25.0	7.5
25	25	42.5	34	40	23.0	32.5	42.5	25.0	7.5
28	28	49.0	37	43	26.5	35.0	42.5	33.0	7.5
30	30	49.0	39	45	26.5	35.0	42.5	33.0	7.5
32	32	53.5	42	48	27.5	35.0	47.5	33.0	7.5
33	33	53.5	42	48	27.5	35.0	47.5	33.0	7.5
35	35	57.0	44	50	28.5	35.0	47.5	33.0	7.5
38	38	59.0	49	56	30.0	36.0	46.0	33.0	9.0
40	40	62.0	51	58	30.0	36.0	46.0	33.0	9.0
42	42	65.5	-	-	30.0	36.0	51.0	41.0	-
43	43	65.5	54	61	30.0	36.0	51.0	41.0	9.0
45	45	68.0	56	63	30.0	36.0	51.0	41.0	9.0
48	48	70.5	59	66	30.5	36.0	51.0	41.0	9.0
50	50	74.0	62	70	30.5	38.0	50.5	41.0	9.5
53	53	78.5	65	73	33.0	36.5	59.0	41.0	11.0
55	55	81.0	67	75	35.0	36.5	59.0	41.0	11.0
58	58	85.5	70	78	37.0	41.5	59.0	41.0	11.0
60	60	88.5	72	80	38.0	41.5	59.0	41.0	11.0
65	65	93.5	77	85	40.0	41.5	69.0	49.0	11.0
68	68	96.5	81	90	40.0	41.2	68.7	49.0	11.3
70	70	99.5	83	92	40.0	48.7	68.7	49.0	11.3
75	75	107.0	88	97	40.0	48.7	68.7	52.0	11.3
80	80	112.0	95	105	40.0	48.0	78.0	56.0	12.0
85	85	120.0	100	110	41.0	46.0	76.0	56.0	14.0
90	90	127.0	105	115	45.0	51.0	76.0	59.0	14.0
95	95	132.0	110	120	46.0	51.0	76.0	59.0	14.0
100	100	137.0	115	125	47.0	51.0	76.0	62.0	14.0